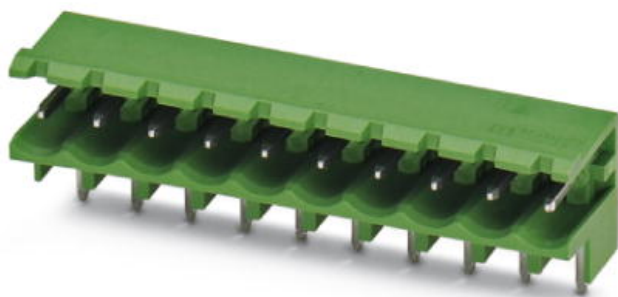


Please note that the data given here has been taken from the online catalog. For comprehensive information and data, please refer to the user documentation at <http://www.download.phoenixcontact.com>. The General Terms and Conditions of Use apply to Internet downloads.

► Extract from the online catalog

Header, nominal current: 12 A, rated voltage: 250 V,
pitch: 5.08 mm, no. of positions: 2, mounting:
Soldering



The figure shows a 10-position version of the product

| | |
|--------------------------|---------------------|
| Order No. | 1735882 |
| Ord designation | MSTBW 2,5/ 2-G-5,08 |
| EAN | 4017918027605 |
| Pack | 50 Pcs. |
| Customs tariff | 85366990 |
| Weight/Piece | 0.001267 KG |
| Catalog page information | Page 219 (CC-2007) |

► Product notes

WEEE/RoHS-compliant since: 01/01/2003



IMPORTANT : This date is valid for Customers in Germany only. Date Format is MM/DD/YYYY. Please contact your local in-country Phoenix Contact location or designated business partner for a Logistics Compliant date in your area. In order to guarantee delivery of RoHS-Compliant product, please purchase Phoenix Contact parts from authorized Phoenix Contact representatives and distributors.

MSTBW 2,5/ 2-G-5,08



► **Technical data**

Dimensions / positions

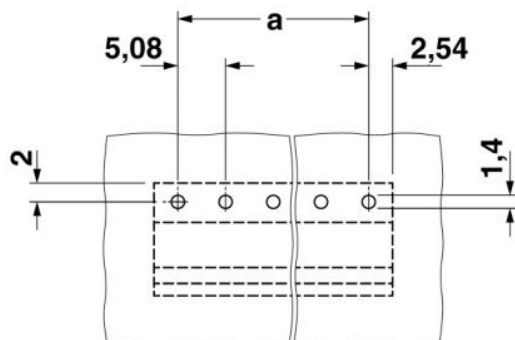
| | |
|---------------------|----------|
| Pitch | 5.08 mm |
| Dimension a | 5.08 mm |
| Number of positions | 2 |
| Pin dimensions | 1 x 1 mm |
| Hole diameter | 1.4 mm |

Technical data

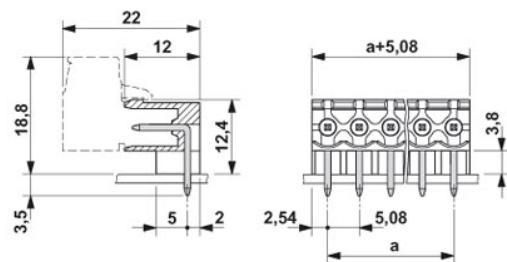
| | |
|------------------------------------|--------|
| Insulating material group | IIIa |
| Rated surge voltage (III/3) | 4 kV |
| Rated surge voltage (III/2) | 4 kV |
| Rated surge voltage (II/2) | 4 kV |
| Rated voltage (III/2) | 320 V |
| Rated voltage (II/2) | 400 V |
| Connection in acc. with standard | EN-VDE |
| Nominal current I_N | 12 A |
| Nominal voltage U_N | 250 V |
| Maximum load current | 12 A |
| Insulating material | PBT |
| Inflammability class acc. to UL 94 | V0 |

► Drawings

Drilling diagram



Dimensioned drawing



► Accessories

| Item | Designation | Description |
|---------------------|--------------------------|---|
| Assembly | | |
| 1755477 | MSTB-BL | Keying cap, for forming sections, plugs onto header pin, green insulating material |
| Marking | | |
| 0804293 | SK 5,08/3,8:FORTL.ZAHLEN | Marker card, printed horizontally, self-adhesive, 12 identical decades marked 1-10, 11-20 etc. up to 91-(99)100, sufficient for 120 terminal blocks |
| Plug/Adapter | | |
| 1734401 | CR-MSTB | Coding element, inserted into the recess in the header or the inverted plug, red insulating material |

► Address

PHOENIX CONTACT GmbH & Co. KG
Flachsmarktstr. 8
32825 Blomberg
Germany
Phone +49 5235 3 00
Fax +49 5235 3 41200
<http://www.phoenixcontact.de>
Phoenix Contact
Technical modifications reserved;